

AGROTECH - Pumps for the food industry - Designed to handle fragile, easily-damaged, fibrous and viscous products

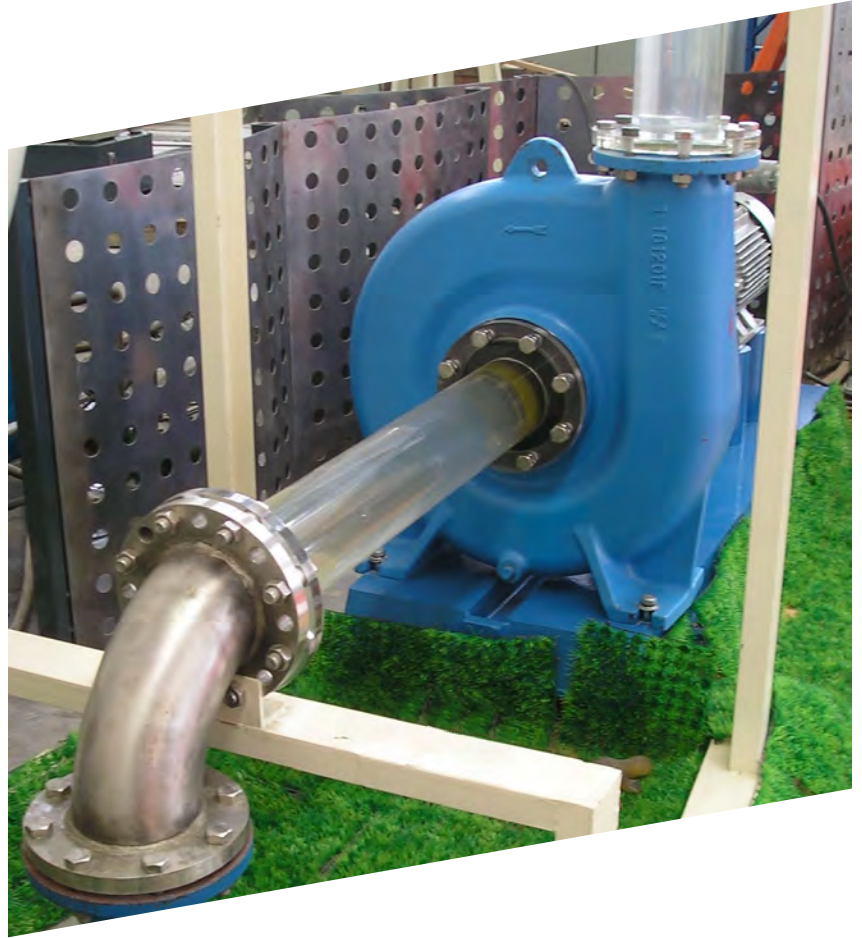
Industrial applications :

For the food industry

- Canning industry
(suitable for various vegetables :
potatoes, green peas, tomatoes,
mixed vegetables,...)
- Water treatment
- All products with long fibres

Benefits:

- Energy efficiency
- Low maintenance



ISO 9001 CERTIFIED GROUP

 **Ensival Moret**
A Moret Industries Company

/ Agrotech pumps

Agrotech pumps are specially designed to handle easily-damaged products : vegetables, fruits, and liquids containing long fibers or viscous solids.

Agrotech pumps have proven their reliability and their superior hydraulic efficiency. Agrotech pumps allow to handle fragile products with a ratio up to one volume of products for three volume of water without damaging pumped products.

/ Design :

- Horizontal centrifugal pump with axial inlet and radial outlet
- Flanges PN10 or PN16
- Foot mounted design
- Large casing drain (minimum diameter : 50 mm)
- The single-channel impeller screwed onto the pump shaft allow to handle your product without damaging your products
- Self draining base plate in steel or stainless steel
- Oil lubricated bearing (grease lubricated upon request)
- Can be supplied with a V-belt drive.
- BACK PULL-OUT design: dismantling without disturbing the piping or the motor
- Option: Close-coupled pump
- Option: variable speed transmission

/ Shaft sealing :

- Single or double mechanical seal
- Gland packings
- possibility of water injection to flush
- Interchangeability of sealing types

/ Matériaux standards:

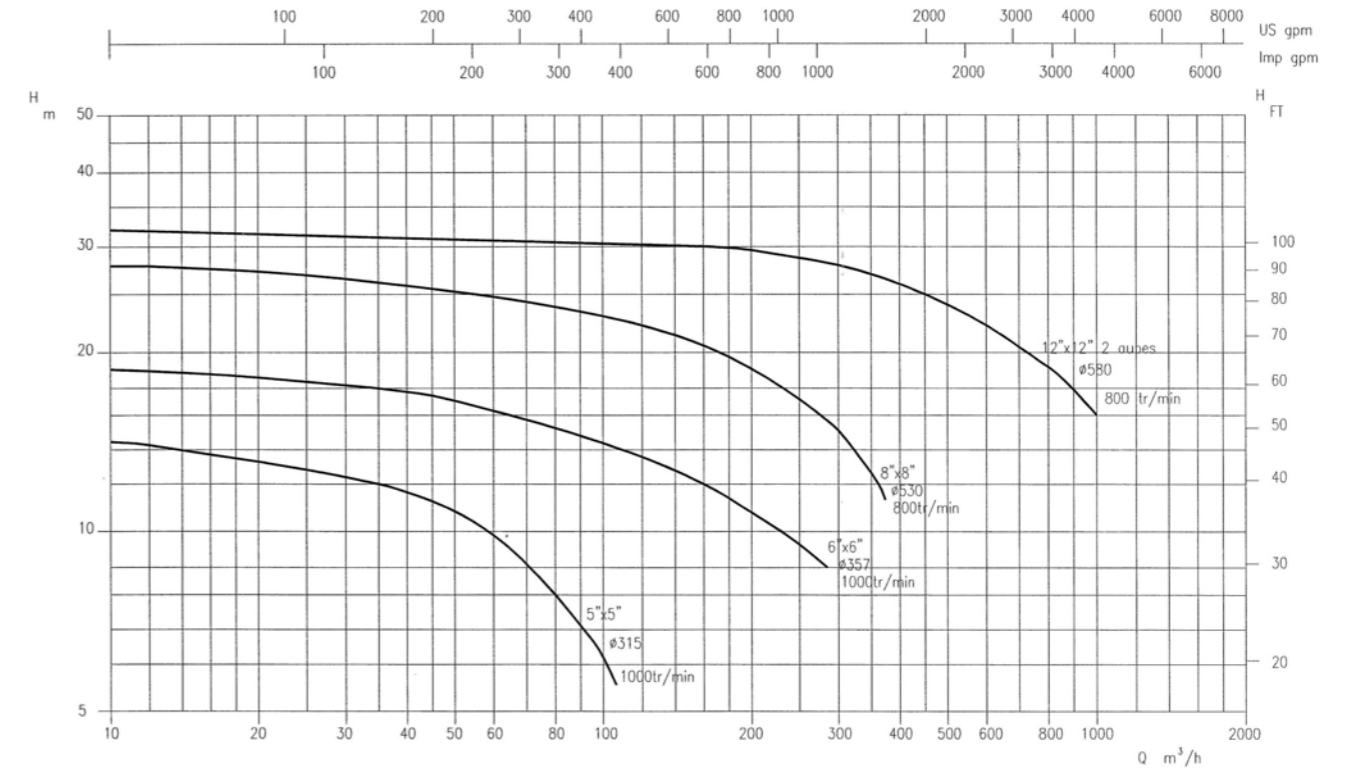
- Water and food stainless steel (304L)
- chromium alloy cast iron or Ni-Hard cast iron (high abrasion resistance)
- Duplex SS (high abrasion and corrosion resistance)

/ Performance :

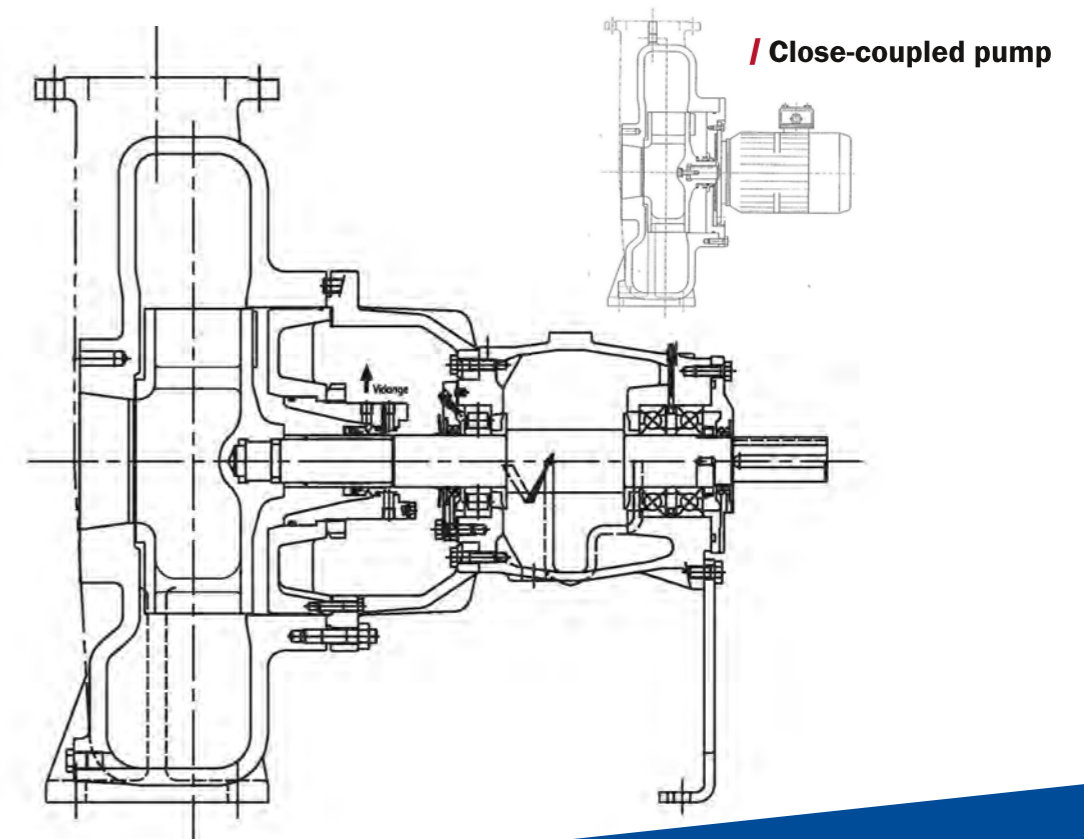
- Flow : 800 m³ / h
- Total head : 30 m
- Operating temperating range : up 120° c
- Higher performances upon request



Performance range :



Sectional drawing :





ENSIVAL MORET FRANCE

Chemin des Ponts et Chaussées
F-02100 Saint-Quentin
Tel : +33 (0)3 23 62 91 00
Fax : +33 (0)3 23 62 02 30
Email : emstquentin@em-pumps.com

ENSIVAL MORET FRANCE

59 Avenue du Danemark
F-37100 Tours
Tél : +33 (0)2 47 88 31 31
Fax : +33 (0)2 47 41 51 73
Email : emtours@em-pumps.com

ENSIVAL MORET FAPMO

35, 37 Rue Roger Salengro BP59
F-62230 Outreau (FRANCE)
Tel : +33 (0)3 21 10 01 21
Fax : +33 (0)3 21 80 46 88
Email : fapmo@em-pumps.com

ENSIVAL MORET BELGIUM

Bois-la-Dame, 4 Z.I. les Plenesses
B-4890 Thimister-Clermont
Tel : +32 (0)87 46 81 11
Fax : +32 (0)87 46 81 00
Email : emwegnez@em-pumps.com

ENSIVAL MORET DEPLECHIN

Avenue de Maire, 28
B-7500 Tournai (BELGIUM)
Tel : +32 (0)69 89 00 89
Fax : +32 (0)69 89 00 60
Email : emtournai@em-pumps.com

ENSIVAL MORET ASIA

31 Mandai Estate
#07-07 Innovation Place - Tower 4,
Immedia
Singapore 729933
Tel : +65 6281 06 67
Fax : +65 6281 09 08
Email : moret@pacific.net.sg

ENSIVAL MORET INDIA Pvt. Ltd.

702A Oxford Hallmark
Lane 7 Koregaon Park
Pune 411 001 - INDIA
Tel: +91 (0)20 4128 5783
Email: emindia@em-pumps.com

ENSIVAL MORET (SHANGHAI) CO., LTD.

No. 1590, Li An Road,
Minhang District,
Shanghai 201100 - P.R. CHINA
Tel: +86 (0)21 5488 9599
Fax: +86 (0) 21 5488 9399
Email: emshanghai@ensival-moret.cn

ENSIVAL MORET DO BRAZIL

Distrito Industrial Bandeirantes
Rua País de Gales, 128
CEP 13.326-195 Salto-SP - BRASIL
Tel/Fax : (55) 11 4602 9595